



R22
BETA . I I

DEPENDABILITY & VALUE

- Proven workhorse, delivering class-leading performance for 45 years.
- Powered by Lycoming's renowned O-360 engine, derated for unmatched reliability and reserve power.
- Crafted with a lightweight yet sturdy airframe and an aerodynamically refined fuselage, the R22 aircraft maximizes airspeed and fuel efficiency.
- Two-bladed main rotor system maximizes efficiency and minimizes hangar space requirements.

SAFETY FEATURES

- 4K cockpit camera and robust fuel system prioritize occupant well-being.
- Crashworthy fuel system enhances overall safety.
- Carburetor heat assist increases safety and reduces pilot workload.
- Optional: Bird-strike-resistant windshields showcase Robinson's commitment to continuous safety improvements.



OWNERSHIP & MAINTENANCE

- Enjoy more time flying and less time managing logistics.
- Life-limited components with 2200-hour or 12-year service lives reduce maintenance costs.
- 50-hour oil changes; engine and airframe have TBOs of 2200 hours or 12 years, whichever comes first.
- A straightforward maintenance schedule simplifies flying and ownership.

UNMATCHED WARRANTY & SUPPORT

- Two-year or 1000-hour limited aircraft warranty for peace of mind.
- Robinson's extensive support network guarantees that you're prepared to fly with confidence.



DISTINCTIVE DESIGN

- Standard instruments and optional glass avionics from Garmin provide clear information and increase situational awareness.
- Strategically arranged instruments provide the pilot with instantly accessible information on aircraft performance.
- Ergonomic controls ensure precise handling in all conditions.



CUSTOMIZABLE

- Leather seats in tan, gray, or charcoal.
- Cabin heater and defogger.
- Engine priming system.
- Xenon HID landing lights.
- Bose A30 headsets for superior audio clarity and noise cancellation.



Helicopter

Engine

Horsepower

Maximum Gross Weight

Approximate Empty Weight (Including Oil & Std Avionics)

Standard Fuel Capacity / Weight

Auxiliary Fuel Capacity / Weight

Pilot, Passengers, and Baggage (with Standard Fuel)

Maximum Airspeed (Vne) at Maximum Gross Weight

Cruise Speed at Maximum Gross Weight

Maximum Range (No Reserve)

Hover Ceiling IGE at Maximum Gross Weight

Hover Ceiling OGE at Maximum Gross Weight

Hover Ceiling OGE at 1300 lb

Maximum Operating Altitude

Electrical System

R22 Beta II

Lycoming O-360, four cylinder, carbureted

derated to 131 hp takeoff & 124 hp continuous

1370 lb (622 kg)

880 lb (399 kg)

16.9 gal capacity / 101 lb (46 kg)

9.4 gal capacity / 56 lb (25 kg)

389 lb (176 kg)

102 kts (189 km/h)

up to 95 kts (176 km/h)

approx 250 nm (460 km)

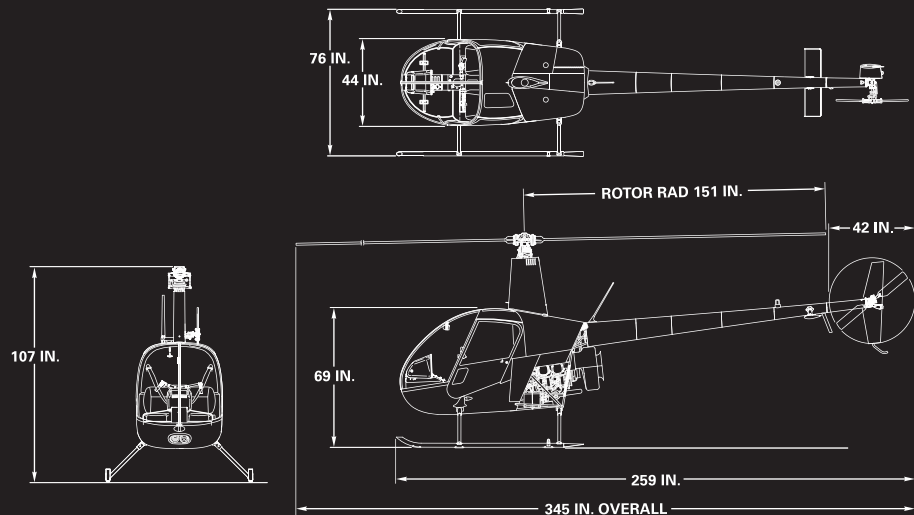
9400 ft at 1370 lb

5000 ft at 1370 lb

8000 ft at 1300 lb

14,000 ft

14 volt



CLIMB HIGHER

Experience the R22 Beta II.
Contact your local Robinson Helicopter dealer today.

2901 Airport Drive
Torrance, CA 90505 USA
www.robinsonheli.com
310-539-0508



© Robinson Helicopter Company. Robinson and R22 are registered trademarks of Robinson Helicopter Company. All other trademarks or registered trademarks are property of their respective companies. (Mar. 2025)